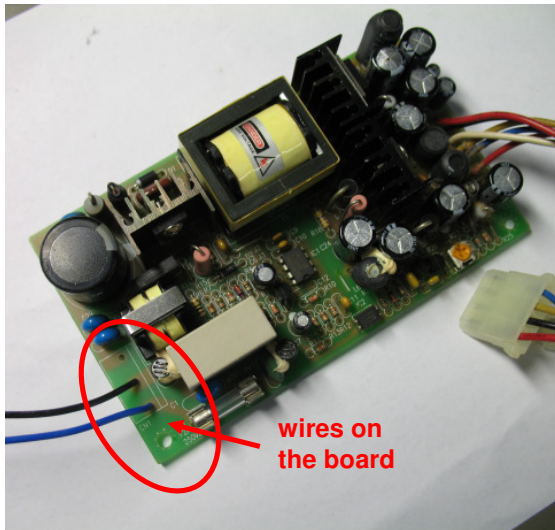


Internal Power Supply Replacement Guide For RME Audio Devices

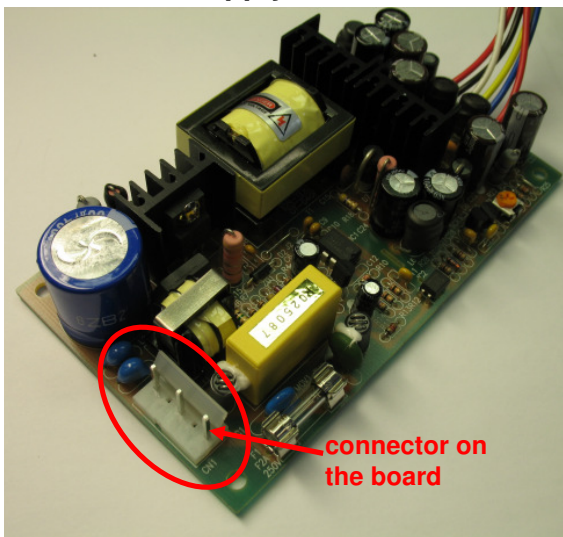
Old Power-Supply-Unit



For older RME devices that require soldering, you will need to first disconnect the two wires connecting the Power-Supply-Unit to the mainboard.

Now remove and replace the PSU with the new unit, then re-solder the two wires in place.

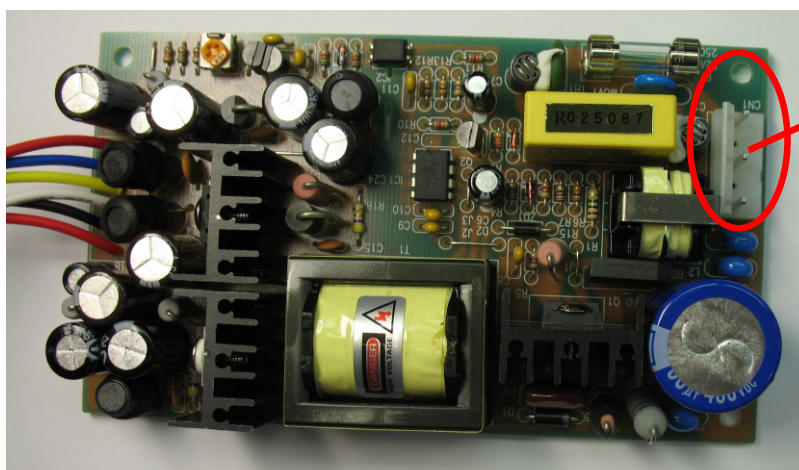
New Power-Supply-Unit



Newer RME devices will have a connector installed on the PSU.

Carefully remove the ribbon cable from the defective PSU, then swap out with the new one.

If your device contains an older power-supply-unit, first remove the connector from the board of the new power-supply. You can now solder the wires onto the board as with previous devices.



remove
connector